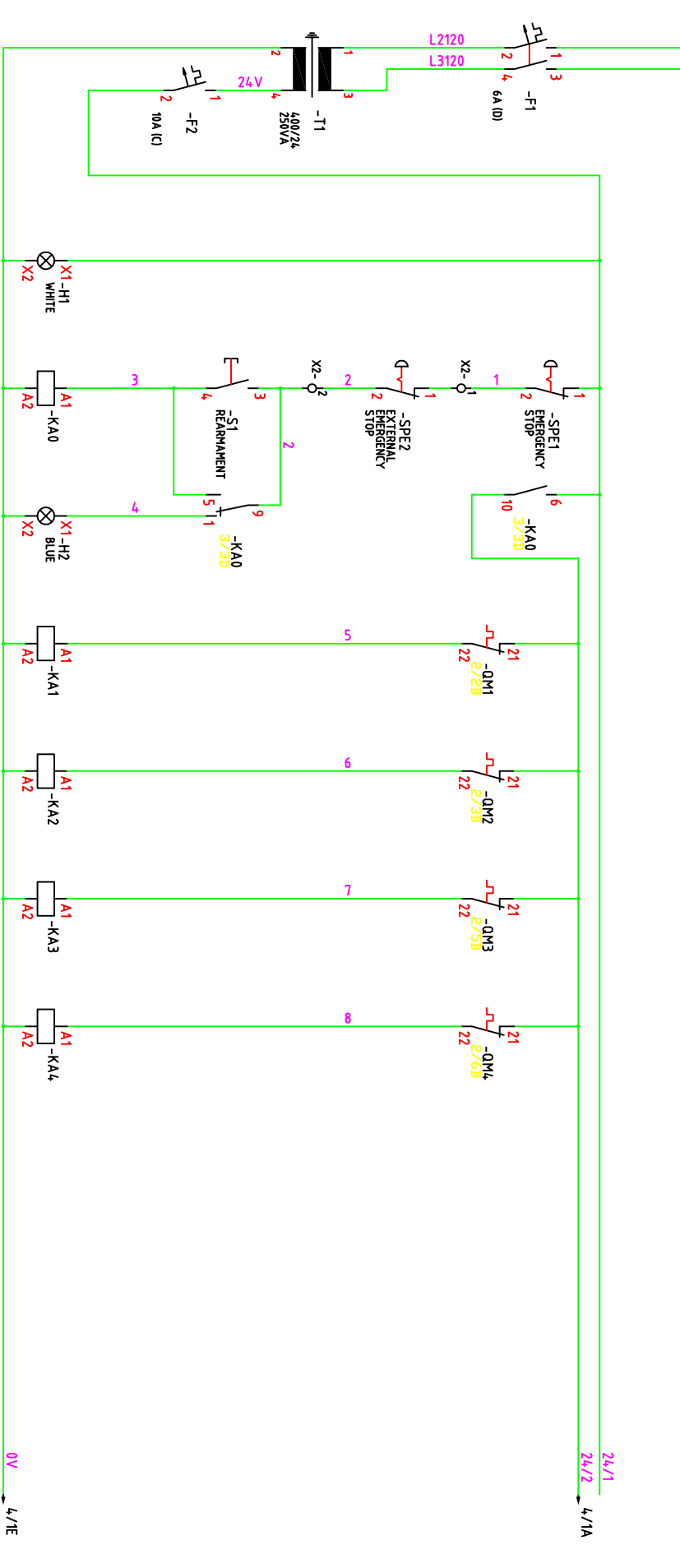


Date		Name		Norm		DIN	
L3: Mod		User		Verif.		Norm	
03/06/2011		INPRO		RUM		DIN	
COMPACT PRETREATMENT UNIT PCP-020				ESTRUAGUA			
POWER SCHEME				ESTRUAGUA			
2719		Previous: 1		Next: 3			
OT-11-506							
CUSTOMER		ESTRUAGUA					
2							

1 2 3 4 5 6 7 8

2/8A L11  
2/8A L21  
2/8A L31

L11 9/1A  
L21 9/1A  
L31 9/1A



TRANSFORMER  
400V / 24V

TENSION

REARMAMENT

REARMAMENT INDICATOR

PROTECTION LONGITUDINAL DE GRITTER 1  
ITEM: 074

PROTECTION INCLINED EXTRACTION DE GRITTER 1  
ITEM: 072

PROTECTION SCREEN 1  
ITEM: 071

PROTECTION GREASING 1  
ITEM: 075

9 1  
5 3/3C  
10 3/3B  
7 11 8/5B  
8 12

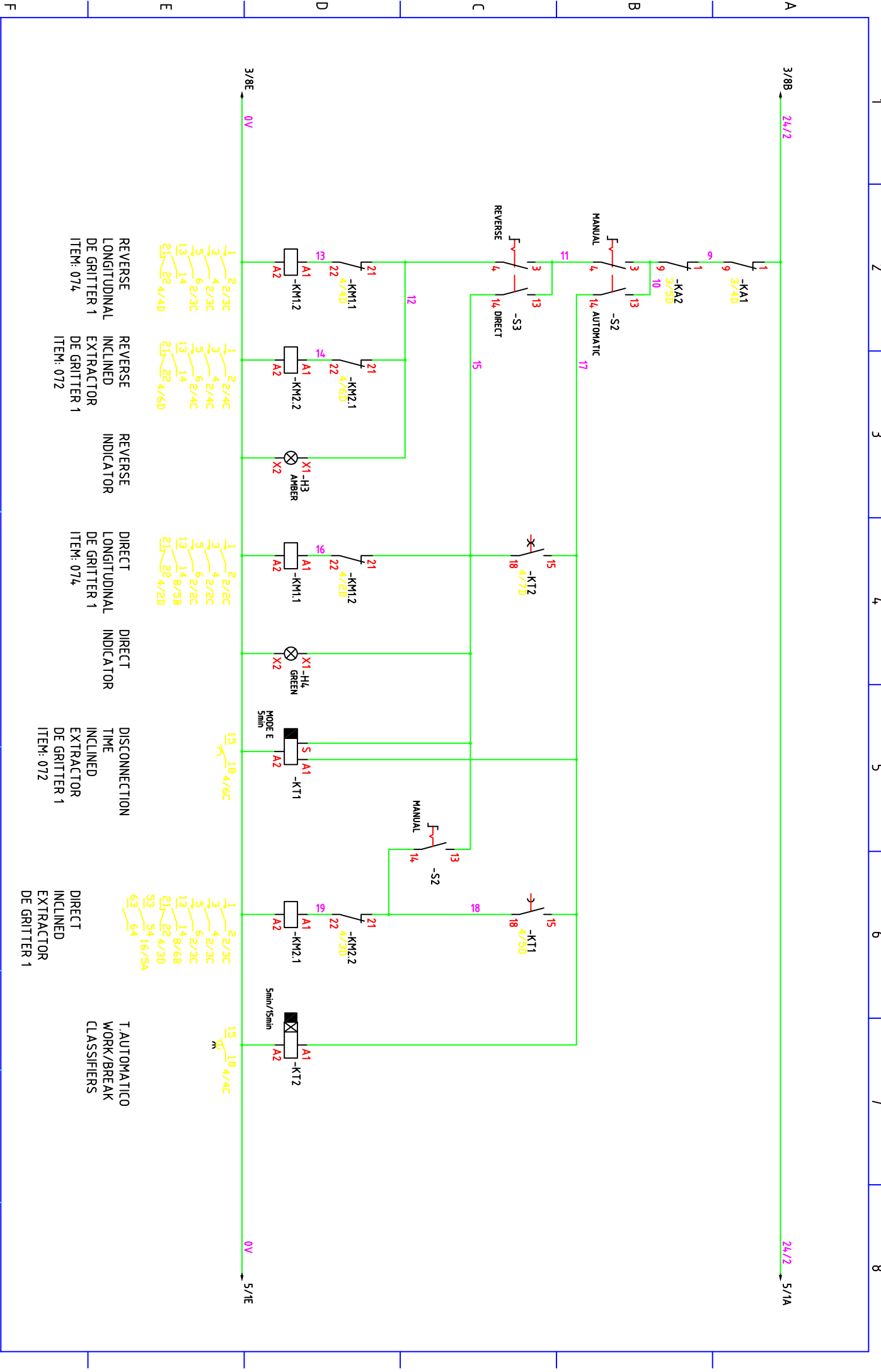
1 9 4/2A  
6 10 7/3A  
7 11 8/2B  
8 12

1 9 4/2B  
6 10 7/3A  
7 11 8/3B  
8 12

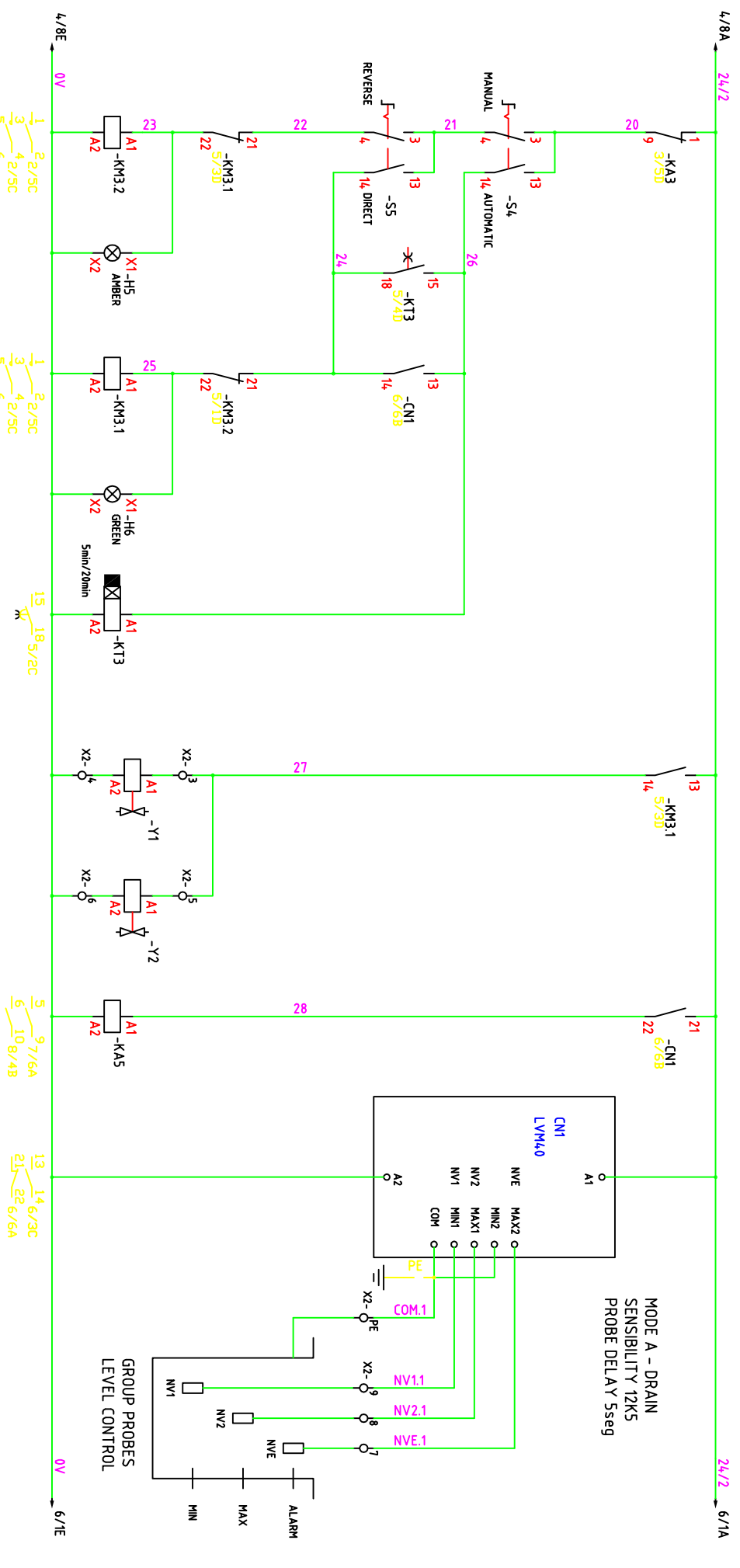
1 9 5/1A  
6 10 7/4A  
7 11 8/3B  
8 12

1 9 6/3A  
6 10 7/5A  
7 11 8/4B  
8 12

Date		Name		Norm		DIN	
La. Mod.		User		Verif.			
03/06/2011		INPRO		RUM			
COMPACT PRETREATMENT UNIT PCP-020				ESTRUAGUA			
SCHEME OF MANEUVER RESET SWITCHING				PCCP1			
3/19		Previous: 2		Next: 4			
OT-11-506		+					
CUSTOMER		ESTRUAGUA					
						3	



Date		Name		Norm		DIN	
L.s. Modl		User		Verif.		Norm	
03/06/2011		INPRO		RUM		DIN	
COMPACT PRETREATMENT UNIT PCP-020							
ESTRUAGUA				SCHEME OF MANUEVER SANDS CLASSIFIER 1			
Date		Name		Norm		DIN	
4/19		Previous: 3		Next: 5			
OT-11-506		+		+			
CUSTOMER				ESTRUAGUA			
T AUTOMATICO WORK/BREAK CLASSIFIERS							
REVERSE LONGITUDINAL DE GRITTER 1 ITEM: 074		REVERSE INCLINED EXTRACTOR DE GRITTER 1 ITEM: 072		REVERSE INDICATOR		DIRECT LONGITUDINAL DE GRITTER 1 ITEM: 074	
1 2/3C		1 2/4C		1 2/2C		1 2/2C	
3 4/3C		3 4/4C		3 4/2C		3 4/2C	
5 6/3C		5 6/4C		5 6/2C		5 6/2C	
13 14		13 14		13 14		13 14	
21 22 4/4D		21 22 4/6D		21 22 4/5B		21 22 4/2D	
15 18 4/6C		15 18 4/4C		15 18 4/6C		15 18 4/4C	
59 54 16/5A		59 54 16/5A		59 54 16/5A		59 54 16/5A	
63 64		63 64		63 64		63 64	



REVERSE  
SCREEN 1  
ITEM: 071

REVERSE  
INDICATOR

DIRECT  
SCREEN 1

DIRECT  
INDICATOR

T.AUTOMATIC  
WORK/BREAK  
SCREEN 1  
ITEM: 071

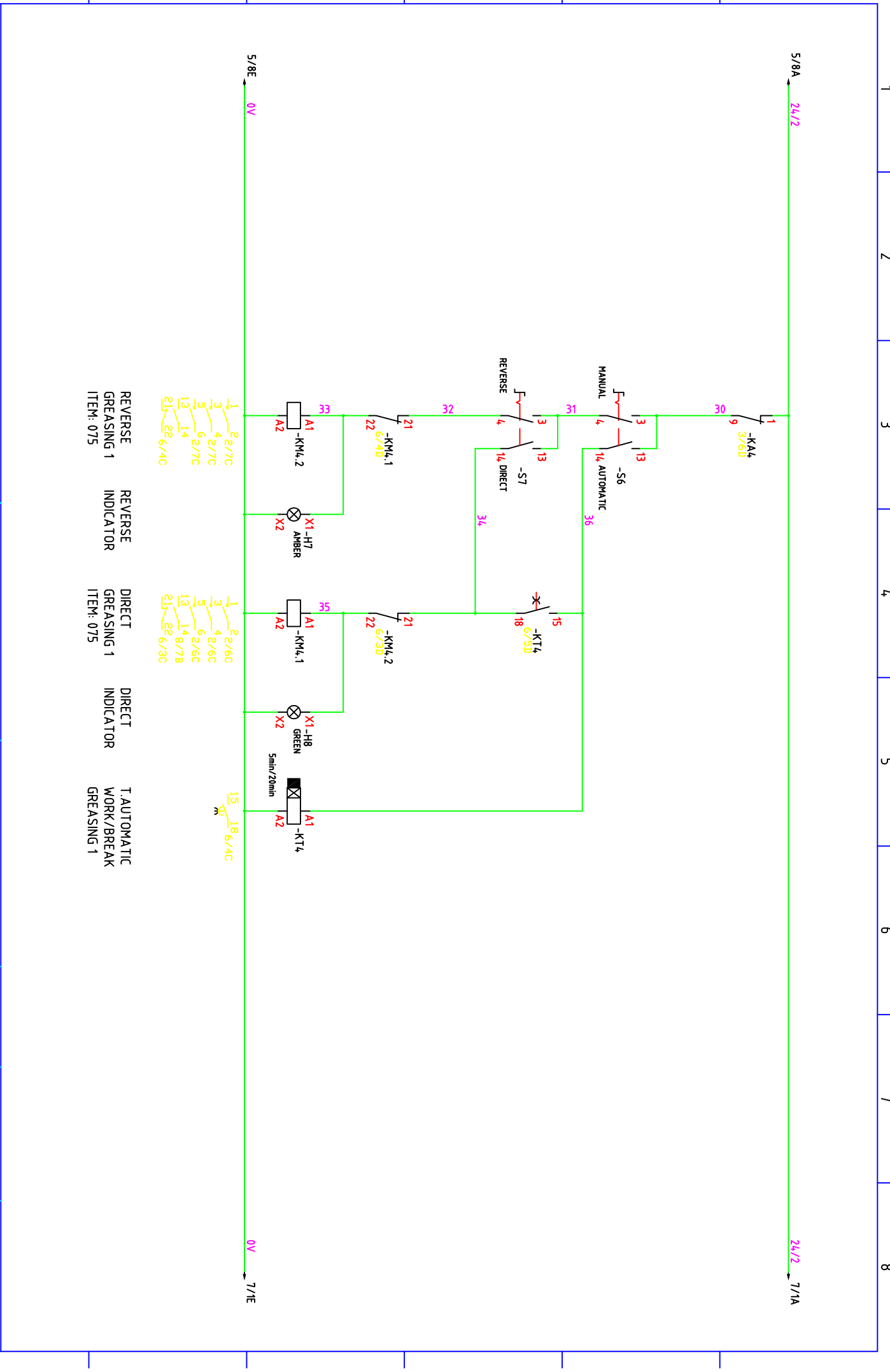
EV CLEANING  
COMPACTATION  
ZONE  
ITEM: 071

EV CLEANING  
GRID  
ZONE  
ITEM: 071

EMERGENCY  
LEVEL  
SCREEN 1  
ITEM: 071

LEVEL CONTROL  
SCREEN 1  
MAX-MIN-EMERGENCY  
ITEM: 071

Date		Name		Norm		DIN		COMPACT PRETREATMENT UNIT PCP-020		ESTRUAGUA HUBO CONTROL LINE		SCHEME OF MANUEVER INCLINED CONVEYOR SCREEN 1		PCP1		5/19		Previous: 4		Next: 6	
User		Verif.		L.A. Mod		RUM		INPRO		RUM		DIN		OT-11-506		CUSTOMER		ESTRUAGUA		5	



REVERSE GREASING 1 INDICATOR REVERSE GREASING 1 INDICATOR T. AUTOMATIC WORK/BREAK GREASING 1  
 ITEM: 075 ITEM: 075

1 2 2/7C  
 3 4 2/7C  
 5 6 2/7C  
 13 14  
 21 22 6/4C

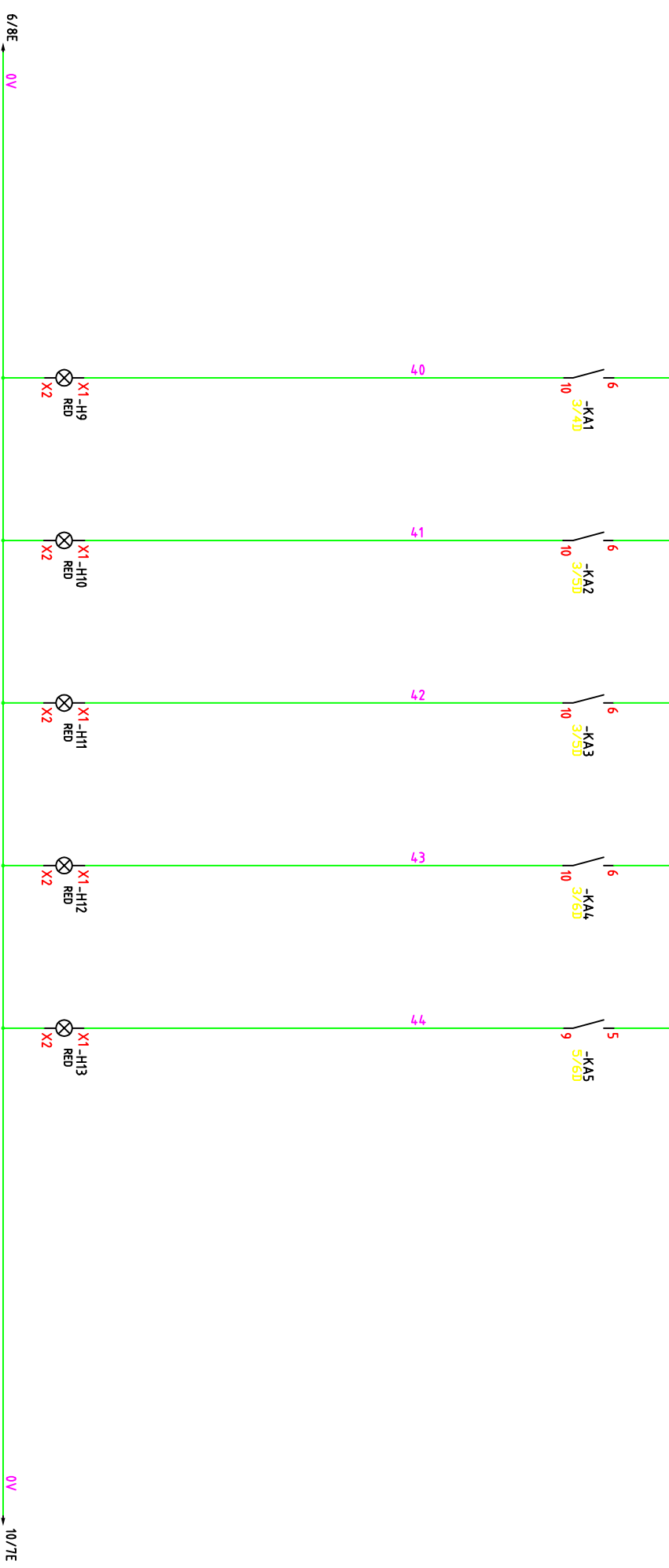
1 2 2/6C  
 3 4 2/6C  
 5 6 2/6C  
 13 14 8/7B  
 21 22 6/3C

15 18 6/4C

Date		Name		Norm		DIN	
L.s. Mod:		03/06/2011		COMPACT PRETREATMENT UNIT PCP-020		ESTRUAGUA	
User:		INPRO		SCHEME OF MANEUVER LATERAL GREASING WITH SCRAPER 1		PCP1	
Verif.:		RLM		CUSTOMER		ESTRUAGUA	
Date		Name		Norm		DIN	
6/19		Previous: 5		Next: 7		6	
OT -11-506		+ =					

1 2 3 4 5 6 7 8

6/8A 24/2 24/2 10/7D



- ALARM LONGITUDINAL DE GRITTER 1 ITEM: 074
- ALARM INCLINED EXTRACTION DE GRITTER 1 ITEM: 072
- ALARM SCREEN 1 ITEM: 071
- ALARM GREASING 1 ITEM: 075
- ALARM EMERGENCY LEVEL SCREEN 1 ITEM: 071

L.A. Mod: 03/06/2011		COMPACT PRETREATMENT UNIT PCP-020		 	SCHEME OF MANEUVER		7/19		Previous: 6		Next: 8	
User: INPRO	Verif.: RUM	DIN			PCCP1	CUSTOMER		OT-11-506		+		ESTRUAGUA
Date	Name	Norm										7

F

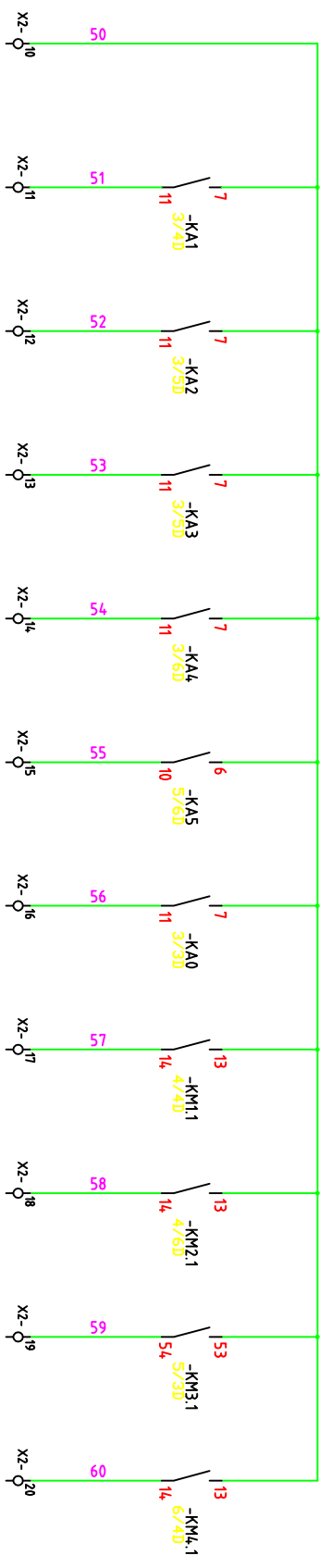
E

D

C

B

A



COMMON

ALARM LONGITUDINAL DE GRITTER 1  
ITEM: 074

ALARM INCLINED EXTRACTION DE GRITTER 1  
ITEM: 072

ALARM SCREEN 1  
ITEM: 071

ALARM GREASING 1  
ITEM: 075

ALARM EMERGENCY LEVEL SCREEN 1  
ITEM: 071

RESET SWITCHING

DIRECT LONGITUDINAL DE GRITTER 1  
ITEM: 074

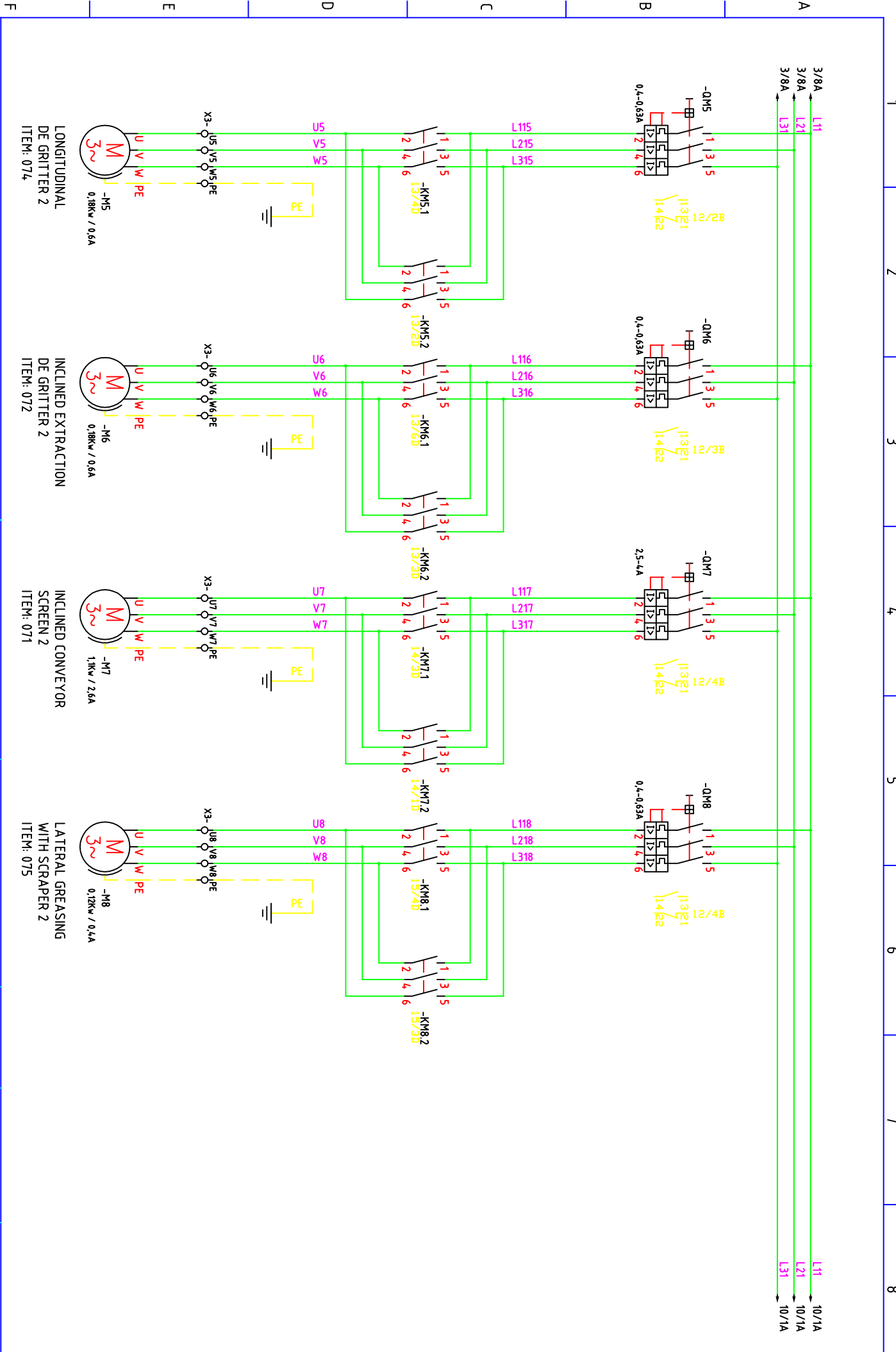
DIRECT INCLINED EXTRACTION DE GRITTER 1  
ITEM: 072

DIRECT SCREEN 1  
ITEM: 071

DIRECT GREASING 1  
ITEM: 075

Date		Name		Norm		Ls. Mod		03/06/2011		INPRO		RUM		DIN		COMPACT PRETREATMENT UNIT PCP-020		ESTRUAGUA		SCHEME OF MANEUVER CABINET STATUS INFORMATION		PCCP1		87/19		Previous: 7		Next: 9		OT-11-506		CUSTOMER		ESTRUAGUA		8	
------	--	------	--	------	--	---------	--	------------	--	-------	--	-----	--	-----	--	-----------------------------------	--	-----------	--	---	--	-------	--	-------	--	-------------	--	---------	--	-----------	--	----------	--	-----------	--	---	--





F  
E  
D  
C  
B  
A

1  
2  
3  
4  
5  
6  
7  
8

3/8A L11  
3/8A L21  
3/8A L31  
10/1A L11  
10/1A L21  
10/1A L31

0.4-0.63A  
-QM5  
1 3 5  
1.3p1  
1.4p2  
2 4 6

0.4-0.63A  
-QM6  
1 3 5  
1.3p1  
1.4p2  
2 4 6

2.5-4A  
-QM7  
1 3 5  
1.3p1  
1.4p2  
1.2/4B  
2 4 6

0.4-0.63A  
-QM8  
1 3 5  
1.3p1  
1.4p2  
2 4 6

U5 V5 W5 PE  
X3- U5 V5 W5 PE  
M5  
0.18kW / 0.6A

U6 V6 W6 PE  
X3- U6 V6 W6 PE  
M6  
0.18kW / 0.6A

U7 V7 W7 PE  
X3- U7 V7 W7 PE  
M7  
1.1kW / 2.6A

U8 V8 W8 PE  
X3- U8 V8 W8 PE  
M8  
0.12kW / 0.4A

LONGITUDINAL DE GRITTER 2  
ITEM: 074

INCLINED EXTRACTION DE GRITTER 2  
ITEM: 072

INCLINED CONVEYOR SCREEN 2  
ITEM: 071

LATERAL GREASING WITH SCRAPER 2  
ITEM: 075

COMPACT PRETREATMENT UNIT PCP-020

ESTRUAGUA  
HERNANDEZ RODRIGUEZ

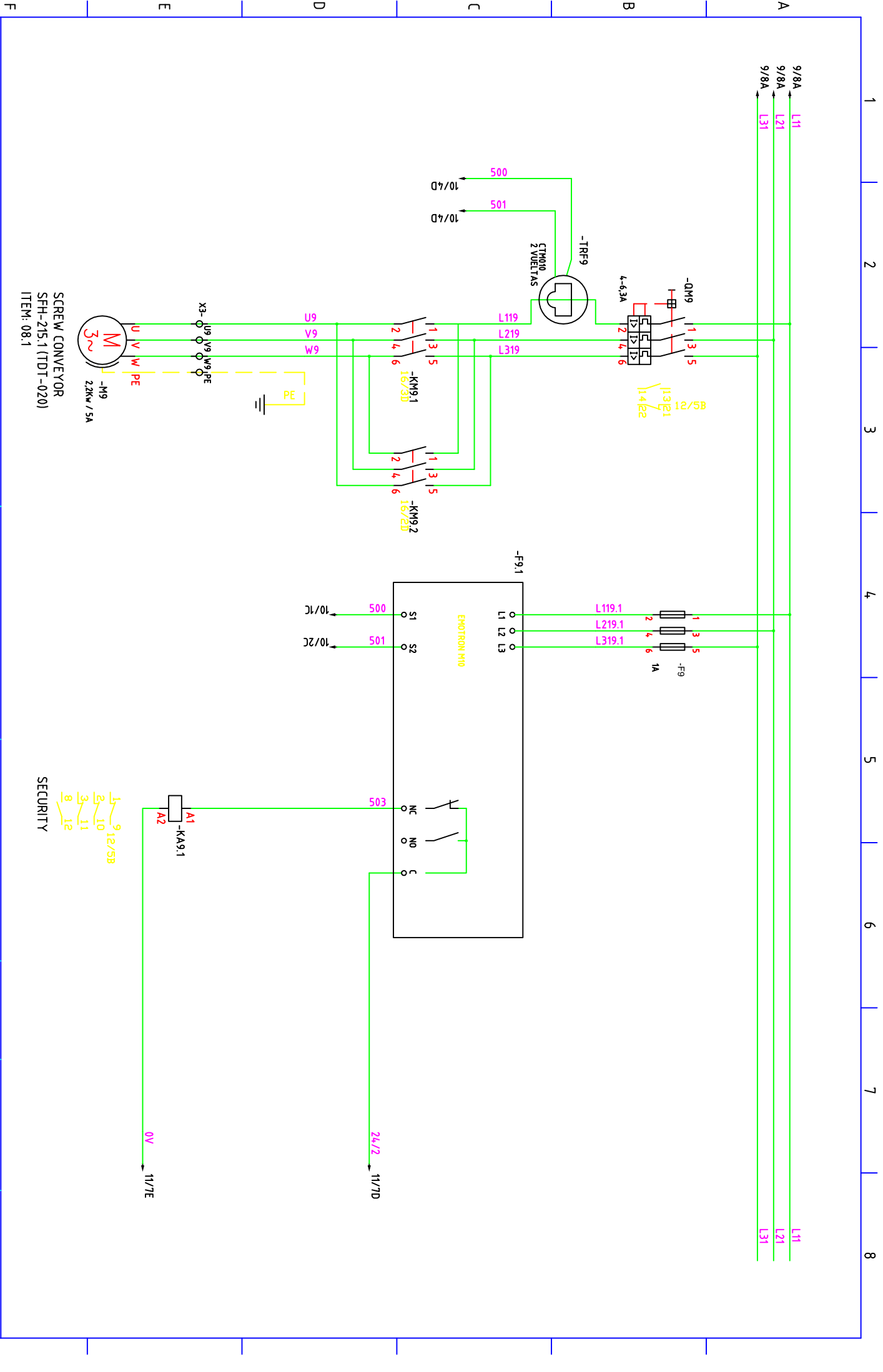
PPCP2 POWER SCHEME

9/7/19 Previous: 8 Next: 10  
OT-11-506  
CUSTOMER ESTRUAGUA

Date Name Norm DIN


La: Mod: 03/06/2011  
User: INPRO  
Verif: RLM  
Norm: DIN

9

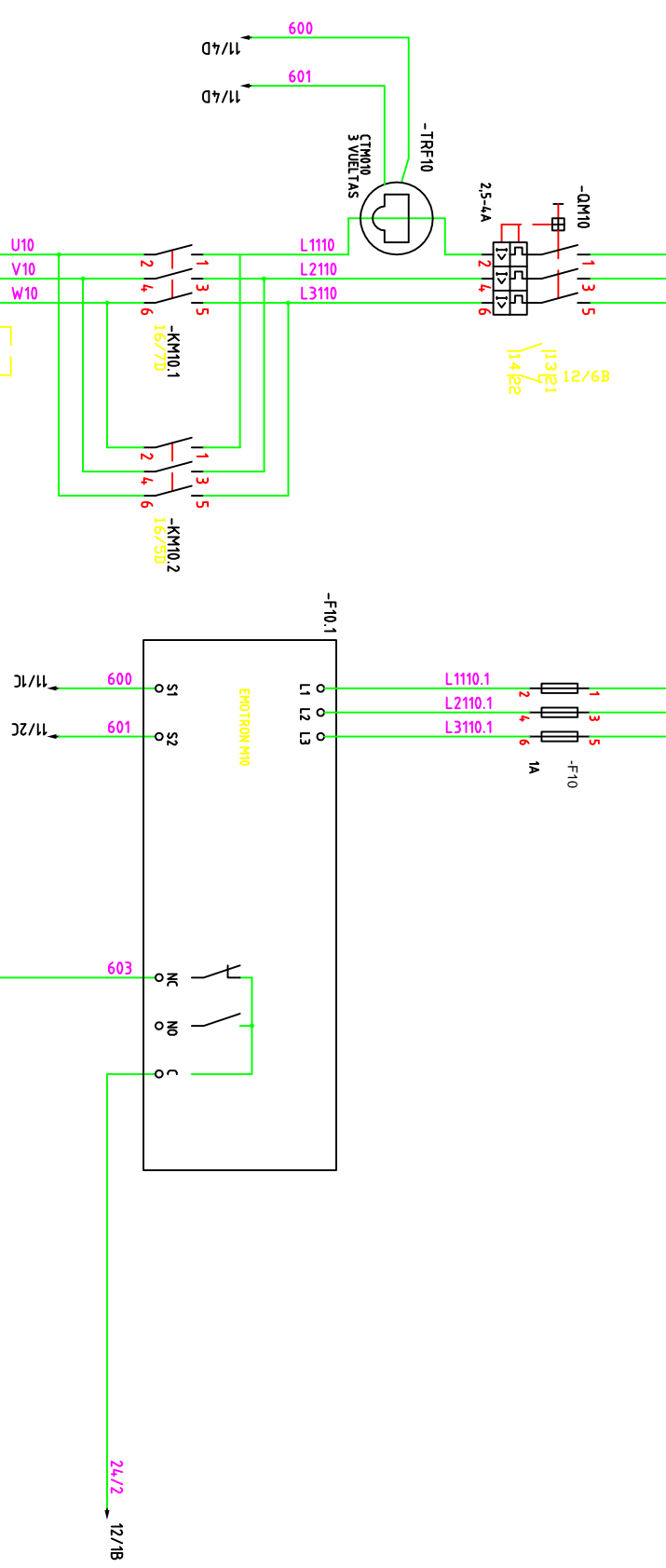


SCREW CONVEYOR  
 SFH-215.1 (TDT-020)  
 ITEM: 08.1

SECURITY

Date		Name		Norm		DIN	
La. Mod		User		Verif.			
03/06/2011		INPRO		RUM			
COMPACT PRETREATMENT UNIT PCP-020							
ESTRUAGUA							
PCP2		POWER SCHEME		10/19		Previous: 9	
				OT-11-506		Next: 11	
CUSTOMER		ESTRUAGUA					
		10					

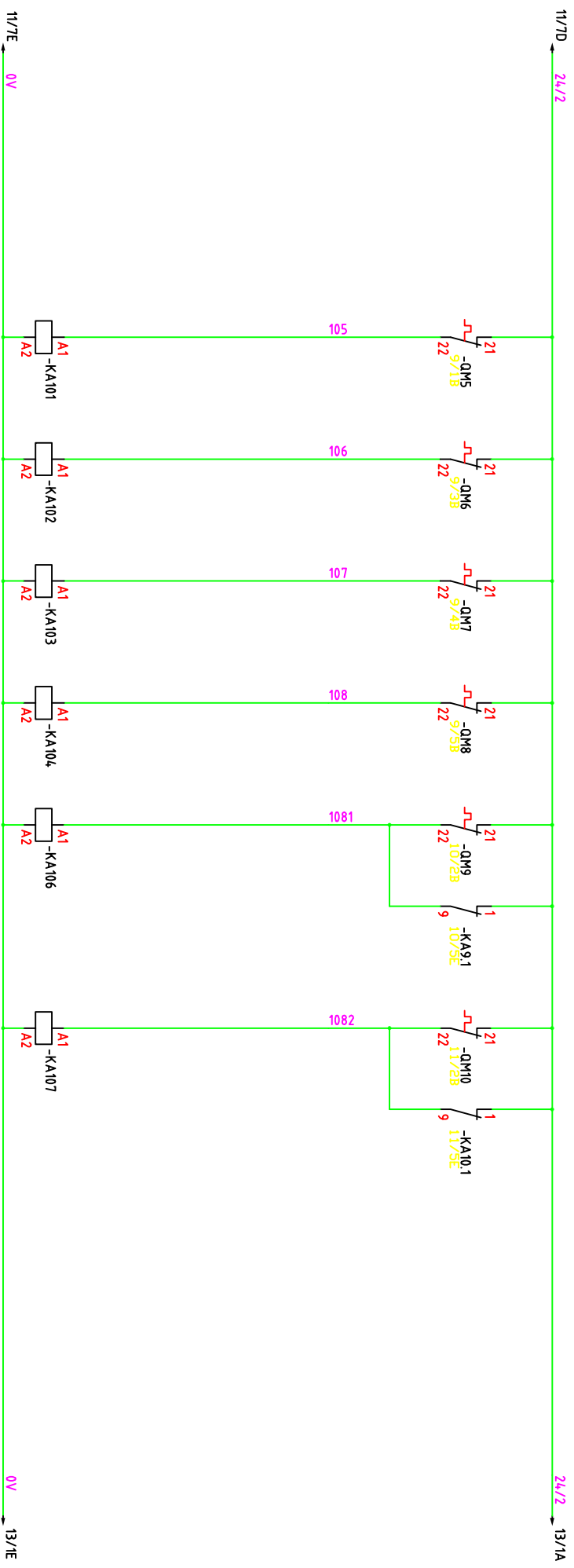
10/1A L11  
 10/1A L21  
 10/1A L31



SCREW CONVEYOR  
 SFH-215.2 (CAH-0150)  
 ITEM: 08.2

SECURITY

Date		Name		L.P. Mod		User		Verif.		Norm		DIN		COMPACT PRETREATMENT UNIT PCP-020		ESTRUAGUA TRIBUTU CON FOLIO 118		PCCP2 POWER SCHEME		11/19		Previous: 10		Next: 12	
				03/06/2011		INPRO		RUM		DIN						OT-11-506		ESTRUAGUA							



PROTECTION LONGITUDINAL DE GRITTER 2 ITEM: 074

PROTECTION PROTECTION INCLINED EXTRACTION DE GRITTER 2 ITEM: 072

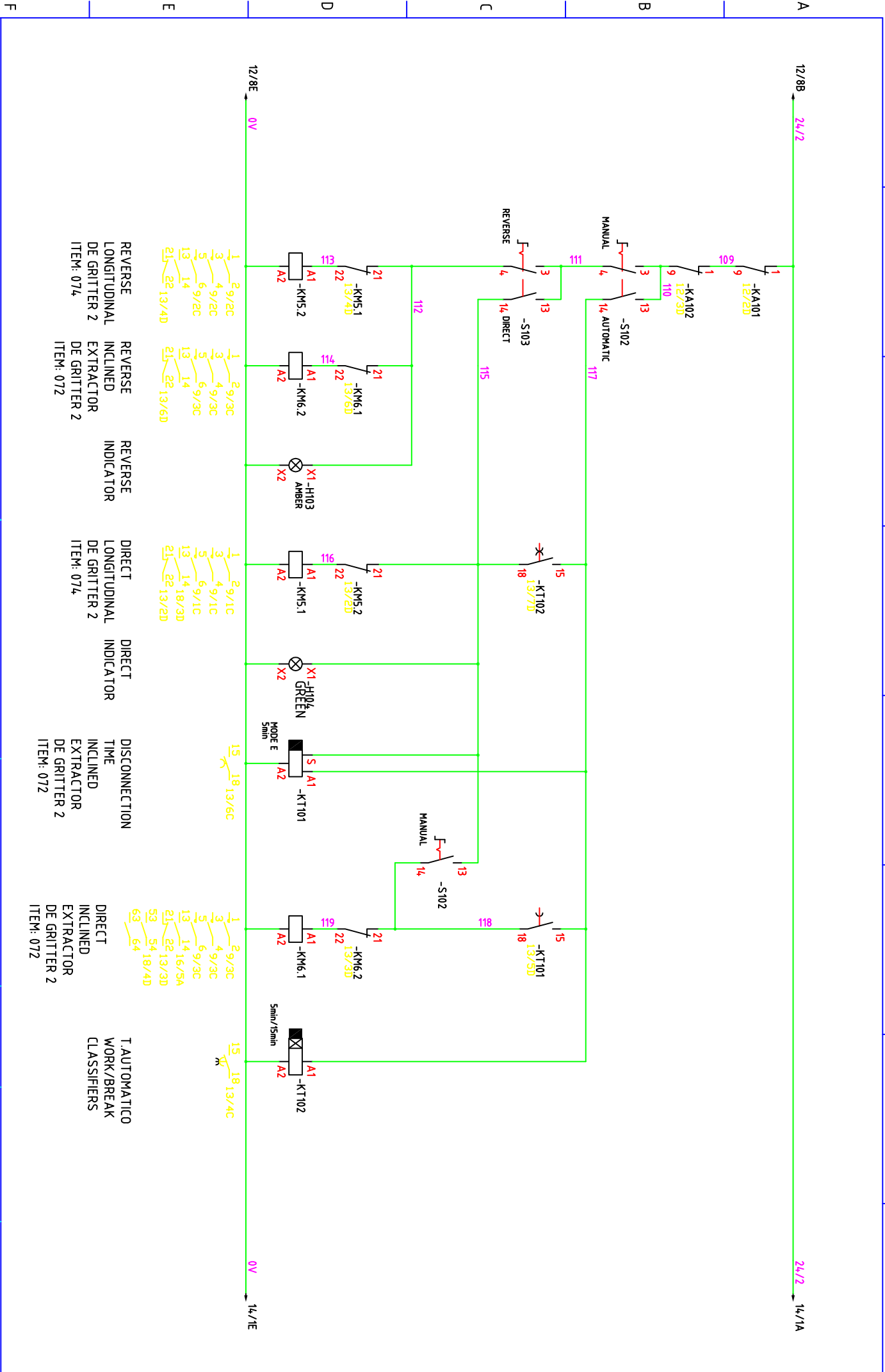
PROTECTION SCREEN 2 ITEM: 071

PROTECTION GREASING 2 ITEM: 075

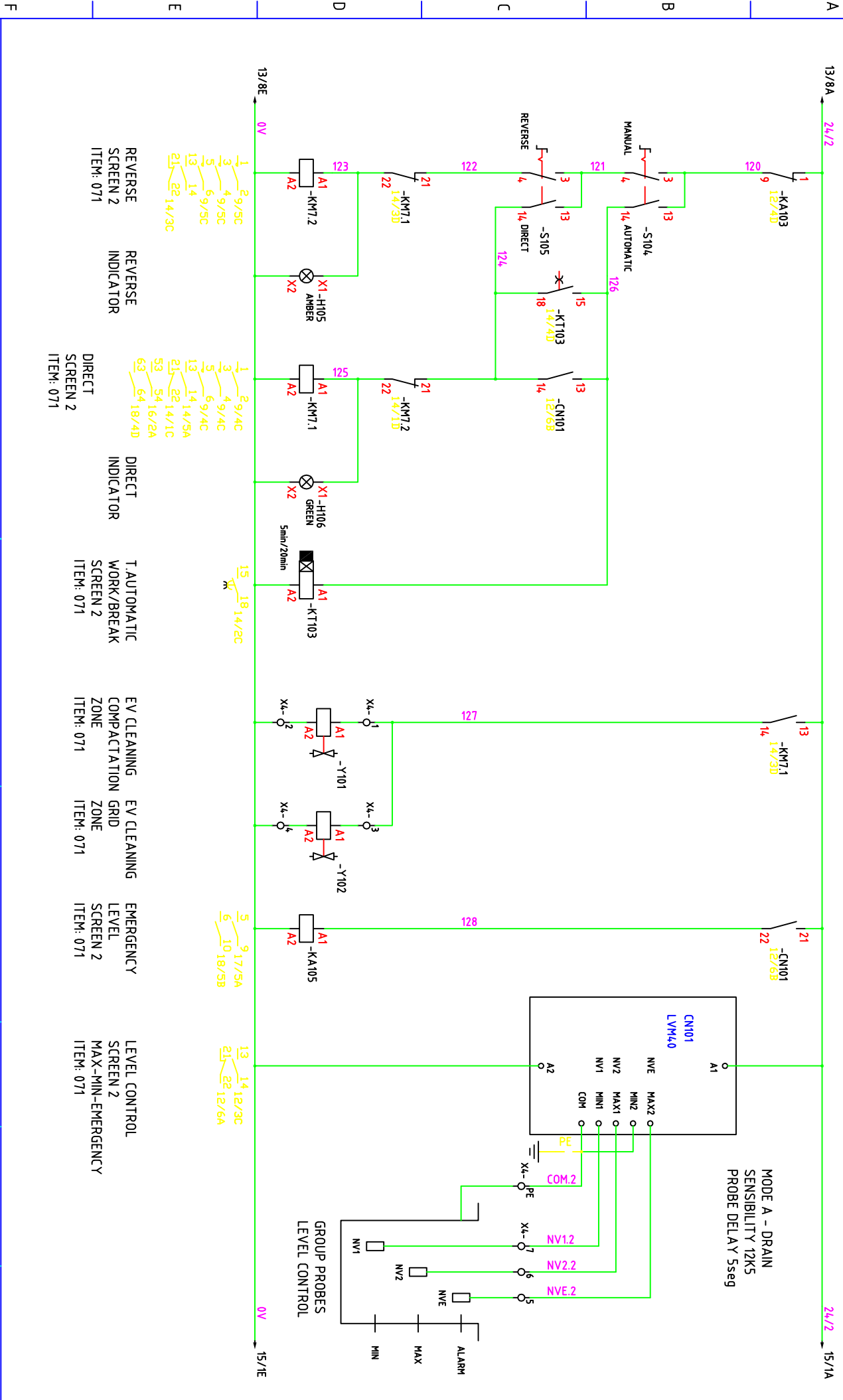
PROTECTION SCREW CONVEYOR SFH-215.1 ITEM: 08.1

PROTECTION SCREW CONVEYOR SFH-215.2 ITEM: 08.2

L.A. Mod: 03/06/2011		COMPACT PRETREATMENT UNIT PCP-020		ESTRUAGUA		SCHEME OF MANEUVER		12/19		Previous: 11		Next: 13	
Date	Name	User	Verif.	Norm	DIN	PCP2		OT-11-506		+		12	
		INPRO	RUM			SCHEMATIC PROTECTIONS		CUSTOMER		ESTRUAGUA			

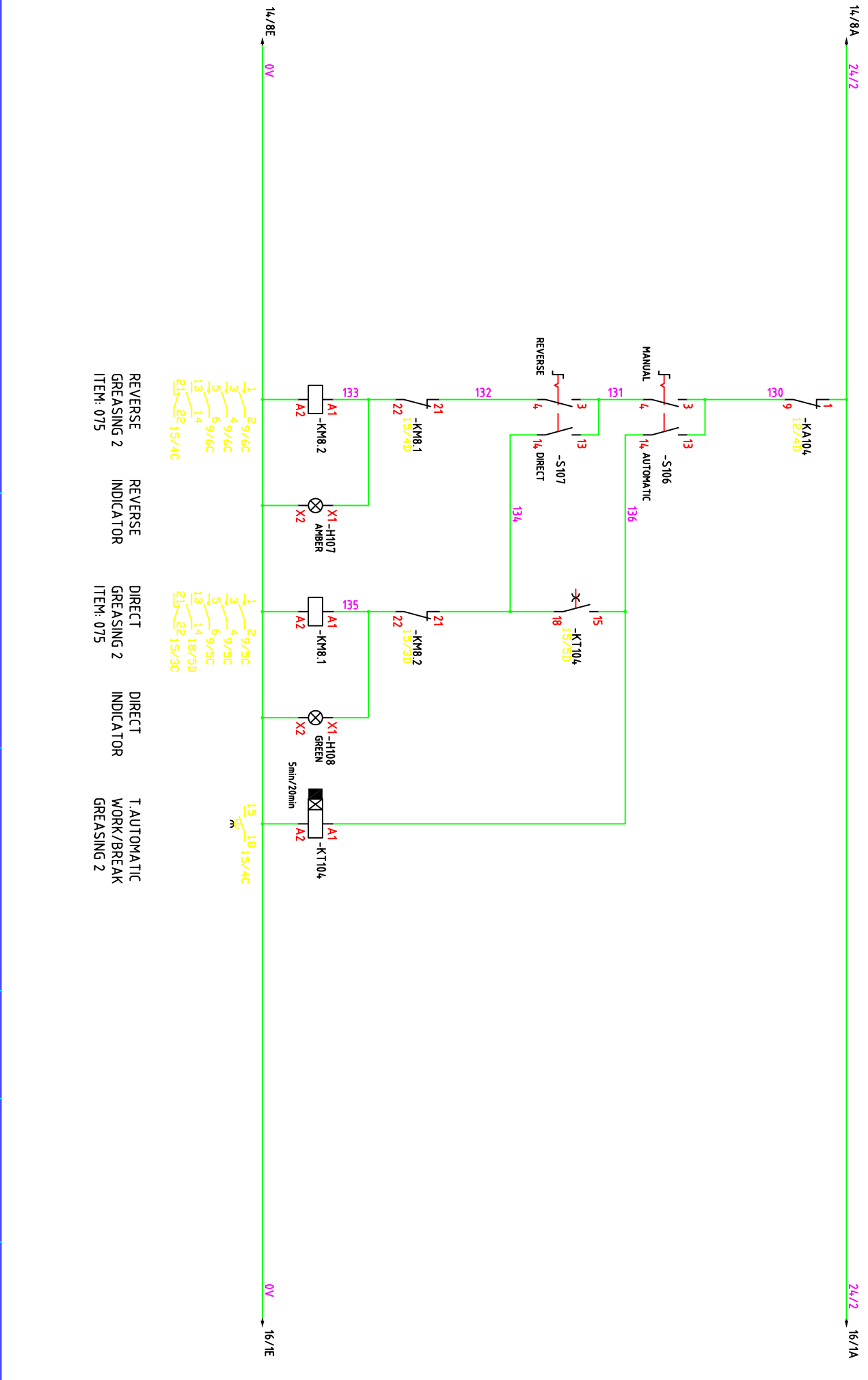


Date		Name		Norm		DIN	
L3: Mod		User		Verif.		Norm	
03/06/2011		INPRO		RUM		DIN	
COMPACT PRETREATMENT UNIT PCP-020							
ESTRUAGUA				SCHEME OF MANUEVER SANDS CLASSIFIER 2			
13/19		Previous: 12		Next: 14			
OT-11-506							
CUSTOMER				ESTRUAGUA			
13							



REVERSE SCREEN 2  
 ITEM: 071  
 REVERSE INDICATOR  
 DIRECT SCREEN 2  
 ITEM: 071  
 DIRECT INDICATOR  
 T. AUTOMATIC WORK/BREAK SCREEN 2  
 ITEM: 071  
 EV CLEANING COMPACTATION ZONE  
 ITEM: 071  
 EV CLEANING GRID ZONE  
 ITEM: 071  
 EMERGENCY LEVEL SCREEN 2  
 ITEM: 071  
 LEVEL CONTROL MAX-MIN-EMERGENCY SCREEN 2  
 ITEM: 071

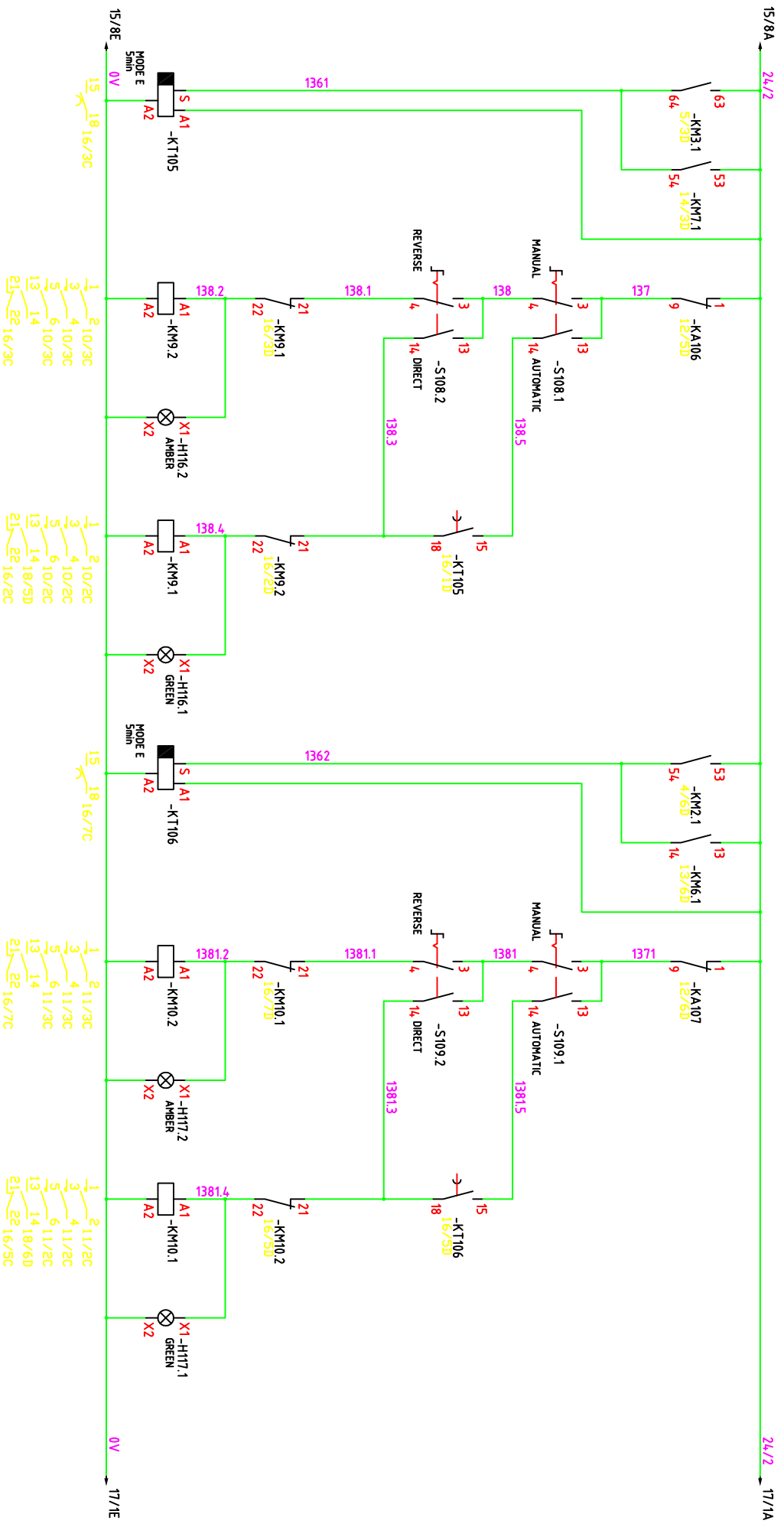
Date		Name		Norm		DIN		COMPACT PRETREATMENT UNIT PCP-020				ESTRUAGUA		SCHEME OF MANUEVER INCLINED CONVEYOR SCREEN 2		PCP2		CUSTOMER		ESTRUAGUA	
L.a. Mod.	User	Verif.	Norm	INPRO	RUM	DIN						ESTRUAGUA		PCP2		CUSTOMER		ESTRUAGUA			
03/06/2011												ESTRUAGUA		PCP2		CUSTOMER		ESTRUAGUA			
14/7/19		Previous: 13		Next: 15								ESTRUAGUA		PCP2		CUSTOMER		ESTRUAGUA			
07-11-506												ESTRUAGUA		PCP2		CUSTOMER		ESTRUAGUA			



REVERSE GREASING 2 INDICATOR REVERSE GREASING 2 INDICATOR T. AUTOMATIC WORK/BREAK GREASING 2  
 ITEM: 075 ITEM: 075

1 2 3 4 5 6 7 8 9 10 11 12 13 14 15 16 17 18 19 20 21 22 23 24 25 26 27 28 29 30 31 32 33 34 35 36 37 38 39 40 41 42 43 44 45 46 47 48 49 50 51 52 53 54 55 56 57 58 59 60 61 62 63 64 65 66 67 68 69 70 71 72 73 74 75 76 77 78 79 80 81 82 83 84 85 86 87 88 89 90 91 92 93 94 95 96 97 98 99 100

Date		Name		Norm		DIN	
L.s. Mod		User		Verif.		Norm	
03/06/2011		INPRO		RUM		DIN	
COMPACT PRETREATMENT UNIT PCP-020							
ESTRUAGUA				ESTRUAGUA			
SCHEME OF MANEUVER LATERAL GREASING WITH SCRAPER 2				PCP2			
15/19		Previous: 14		Next: 16			
OT-11-506							
CUSTOMER		ESTRUAGUA					
						15	



MANUEVER  
DIRECT  
SFH-215.1  
SCREW  
ITEM: 08.1

REVERSE  
SFH-215.1  
ITEM: 08.1

REVERSE  
INDICATOR  
SFH-215.1  
ITEM: 08.1

DIRECT  
SFH-215.1  
ITEM: 08.1

DIRECT  
INDICATOR  
SFH-215.1  
ITEM: 08.1

MANUEVER  
DIRECT  
SFH-215.2  
SCREW  
ITEM: 08.2

REVERSE  
SFH-215.2  
ITEM: 08.2

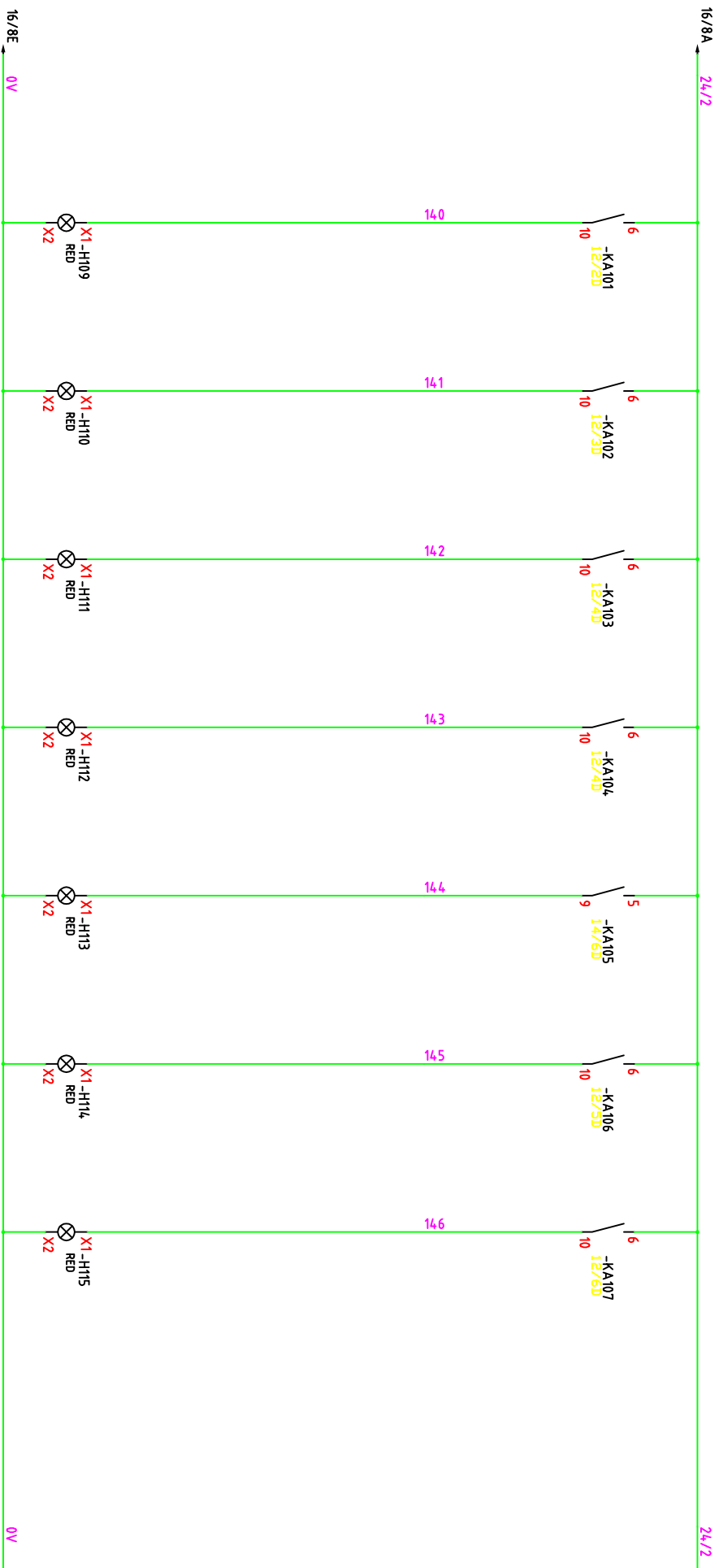
REVERSE  
INDICATOR  
SFH-215.2  
ITEM: 08.2

DIRECT  
SFH-215.2  
ITEM: 08.2

DIRECT  
INDICATOR  
SFH-215.2  
ITEM: 08.2

Date		Name		Norm		DIN	
Lb. Mod		User		Verif.		Date	
03/06/2011		INPRO		RUM			
COMPACT PRETREATMENT				UNIT PCP-020			
ESTRUAGUA				INDUSTRIAL GROUP S.A.S.			
PCP2				SCHEME OF MANUEVER			
16/19				OT-11-506			
Previous: 15				Next: 17			
CUSTOMER				ESTRUAGUA			
				16			





ALARM  
LONGITUDINAL  
DE GRITTER 2  
ITEM: 074

ALARM  
INCLINED  
EXTRACTION  
DE GRITTER 2  
ITEM: 072

ALARM  
SCREEN 2  
ITEM: 071

ALARM  
GREASING 2  
ITEM: 075

ALARM  
EMERGENCY  
LEVEL  
SCREEN 2  
ITEM: 071

ALARMA  
SCREW  
SFH-215.1  
ITEM: 08.1

ALARMA  
SCREW  
SFH-215.2  
ITEM: 08.2

COMPACT PRETREATMENT  
UNIT PCP-020

Date	Name	Norm	DIN
	La. Mod	03/06/2011	
	User	INPRO	
	Verif.	RUM	



SCHEME OF MANEUVER  
PCP2  
ALARMS

17/19	Previous: 16	Next: 18
OT-11-506		
CUSTOMER	ESTRUAGUA	

A 1 2 3 4 5 6 7 8

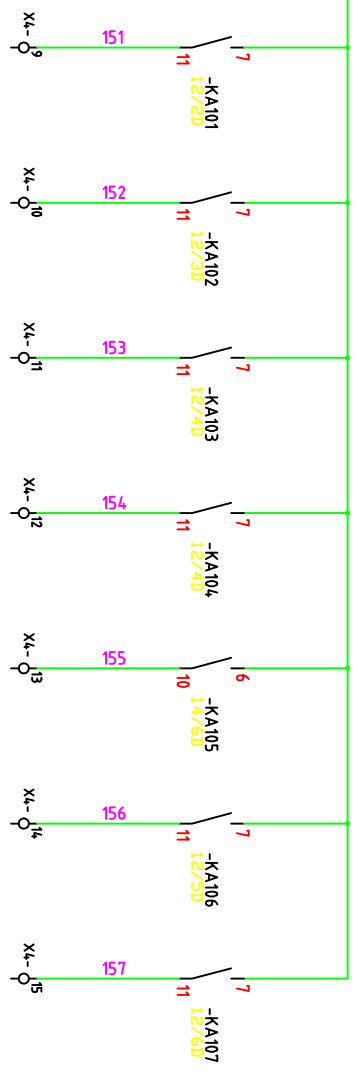
B

C

D

E

F



ALARM LONGITUDINAL DE GRITTER 2 ITEM: 074

ALARM INCLINED EXTRACTION DE GRITTER 2 ITEM: 072

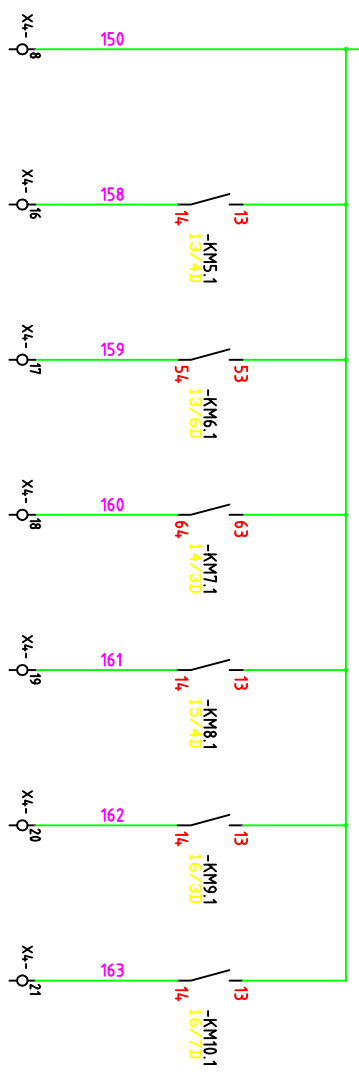
ALARM SCREEN 2 ITEM: 071

ALARM GREASING 2 ITEM: 075

ALARM EMERGENCY LEVEL SCREEN 2 ITEM: 071

ALARM SCREW SFH-215.1 ITEM: 08.1

ALARM SCREW SFH-215.2 ITEM: 08.2



COMMON

DIRECT LONGITUDINAL DE GRITTER 2 ITEM: 074

DIRECT INCLINED EXTRACTION DE GRITTER 2 ITEM: 072

DIRECT SCREEN 2 ITEM: 071

DIRECT GREASING 2 ITEM: 075

DIRECT SCREW SFH-215.1 ITEM: 08.1

DIRECT SCREW SFH-215.2 ITEM: 08.2

Date		Name		Norm		DIN	
L3: Mod		User		Verif.		Norm	
03/06/2011		INPRO		RUM		DIN	
COMPACT PRETREATMENT UNIT PCP-020				ESTRUAGUA			
SCHEME OF MANUEVER CABINET STATUS INFORMATION				ESTRUAGUA			
18/19		Previous: 17		Next: 19		18	
OT-11-506		+					
CUSTOMER		ESTRUAGUA					

POWER PCP1

CONTROL PCP1

POWER PCP2

CONTROL PCP2

X0-

L1
L2
L3
PE

ELECTRICAL INPUT  
4.00V 50Hz

X2-

1
2

\* SHORT IN CASE OF NO CONNECTION

-Y1  
EV CLEANING SCREEN 1  
COMPACTATION ZONE

X3-

U5
V5
W5
PE

M5 0.55Kw  
LONGITUDINAL DE GRITTER 2  
4.00V 50Hz

X4-

1
2
3
4

-Y101  
EV CLEANING SCREEN 2  
COMPACTATION ZONE

-Y102  
EV CLEANING SCREEN 2  
GRID ZONE

X1-

U1
V1
W1
PE

M1 0.55Kw  
LONGITUDINAL DE GRITTER 1  
4.00V 50Hz

3
4
5
6

-Y2  
EV CLEANING SCREEN 1  
GRID ZONE

U6
V6
W6
PE

M6 0.55Kw  
INCLINED EXTRACTION DE GRITTER 2  
4.00V 50Hz

5
6
7
PE

-NVE  
LEVEL PROBES

-NV2  
SCREEN 2

-NV1  
SCREEN 2

COM

U2
V2
W2
PE

M2 0.55Kw  
INCLINED EXTRACTION DE GRITTER 1  
4.00V 50Hz

7
8
9
PE

-NVE  
LEVEL PROBES

-NV2  
SCREEN 1

-NV1  
SCREEN 1

COM

U7
V7
W7
PE

M7 2.2Kw  
INCLINED CONVEYOR SCREEN 2  
4.00V 50Hz

8
9
10

COMUN

ALARM LONGITUDINAL DE GRITTER 2

ALARM INCLINED EXTRACTION DE GRITTER 2

U3
V3
W3
PE

M3 2.2Kw  
INCLINED CONVEYOR SCREEN 1  
4.00V 50Hz

10
11
12
13

COMUN

ALARM LONGITUDINAL DE GRITTER 1

ALARM INCLINED EXTRACTION DE GRITTER 1

U8
V8
W8
PE

M8 0.37Kw  
LATERAL GREASING WITH SCRAPER 2  
4.00V 50Hz

11
12
13
14

ALARM SCREEN 2

ALARM GREASING 2

ALARM EMERGENCY LEVEL SCREEN 2

U4
V4
W4
PE

M4 0.37Kw  
LATERAL GREASING WITH SCRAPER 1  
4.00V 50Hz

14
15
16
17

ALARM GREASING 1

ALARM EMERGENCY LEVEL SCREEN 1

RESET SWITCHING

DIRECT LONGITUDINAL DE GRITTER 1

U9
V9
W9
PE

M9 2.2Kw  
SCREW CONVEYOR SFH-215.1 (TDT-020)  
4.00V 50Hz

15
16
17
18

ALARM SCREW SFH-215.1

ALARM SCREW SFH-215.2

DIRECT LONGITUDINAL DE GRITTER 2

DIRECT INCLINED EXTRACTION DE GRITTER 2

U4
V4
W4
PE

M4 0.37Kw  
LATERAL GREASING WITH SCRAPER 1  
4.00V 50Hz

18
19
20

DIRECT INCLINED EXTRACTION DE GRITTER 1

DIRECT SCREEN 1

DIRECT GREASING 1

U10
V10
W10
PE

M10 1.1Kw  
SCREW CONVEYOR SFH-215.2 (CAH-0150)  
4.00V 50Hz

19
20
20

DIRECT SCREEN 2

DIRECT GREASING 2

DIRECT SCREW SFH-215.1

DIRECT SCREW SFH-215.2

CABINET STATUS INFORMATION

CABINET STATUS INFORMATION

COMPACT PRETREATMENT UNIT PCP-020

La. Mod.	03/06/2011
User	INPRO
Verif.	RUM
Norm	DIN



PCP-020 TERMINAL CONNECTIONS

19/7/19	Previous: 18	Next: +
OT-11-506		
CUSTOMER	ESTRUAGUA	