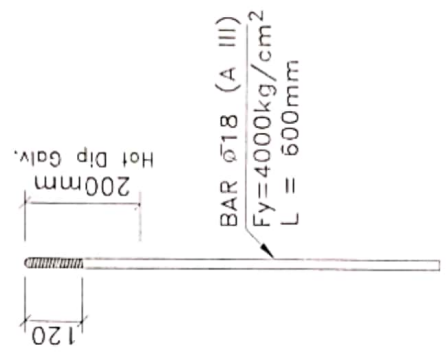
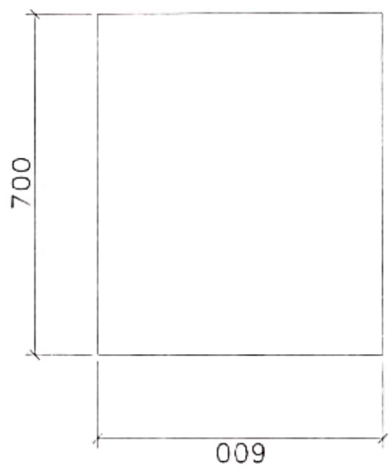
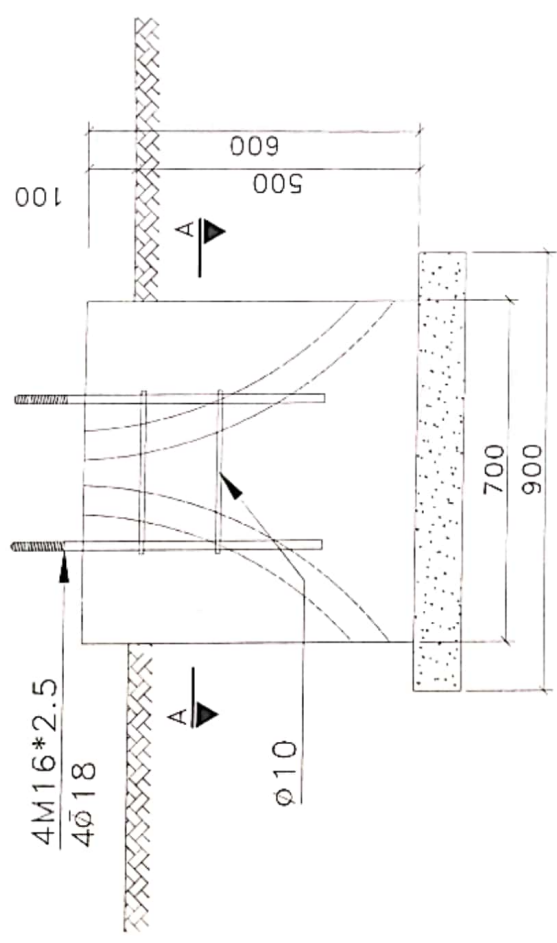


Base Plate



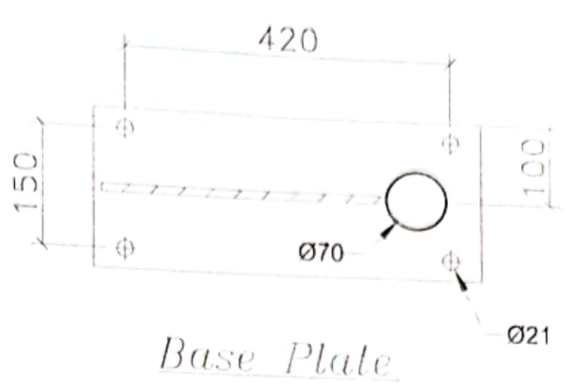
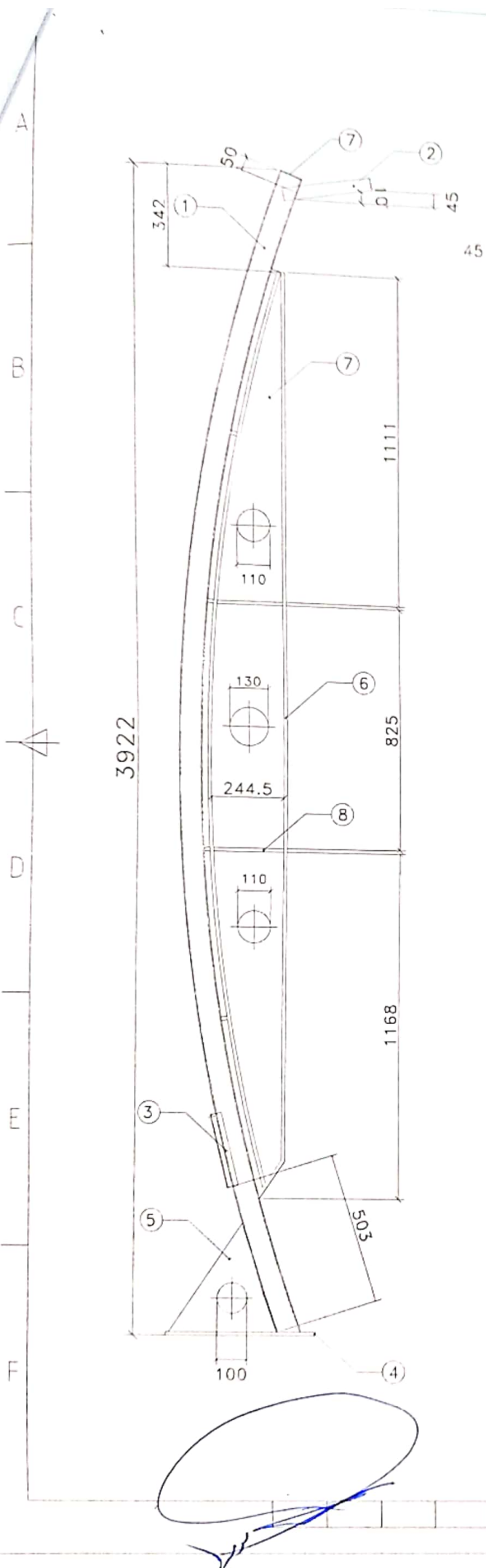
Anchor Bolt



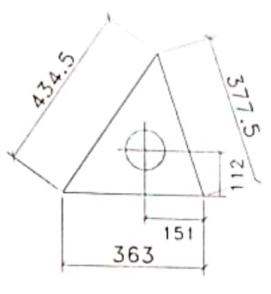
Section A-A



|   |               |              |      |       |       |
|---|---------------|--------------|------|-------|-------|
| FIELD                                   | NO. OF SHEETS | TOTAL SHEETS | DATE | SCALE | DRAWN |
|   |               |              |      | 1:100 | S-00  |
| PROJECT TITLE : <i>Handwritten text</i> |               |              |      |       |       |
| SHEET TITLE : <i>Handwritten text</i>   |               |              |      |       |       |
| DRAWN BY : <i>Handwritten text</i>      |               |              |      |       |       |
| CHECKED BY : <i>Handwritten text</i>    |               |              |      |       |       |
| DATE : <i>Handwritten text</i>          |               |              |      |       |       |



Base Plate



Stiffner

ቅጽ - የግንባታ - ስራ - ትኩረት ለሚያስፈልግ የሚሆኑትን ሁሉም ክፍሎች ለማረጋገጥ የሚያስፈልጉትን መረጃዎች ይዘት ለማድረግ የሚያስፈልጉትን ሰነድ ለማሰጠት ይጠቀሳል።

| Details |            |     |                    |
|---------|------------|-----|--------------------|
| POS     | NAME       | Qty | Description/Length |
| 1       | Pipe 2.5"  | 1   | L=4000mm-Th3.5mm   |
| 2       | Pipe 1"    | 1   | L=300mm            |
| 3       | Box        | 1   | B=80mm L=250mm     |
| 4       | Base Plate | 1   | PL.500x200x12      |
| 5       | Stiffner   | 1   | PL.δ               |
| 6       | Rebar      | 1   | φ12                |
| 7       | Plate      | 1   | PL.2               |
| 8       | Rebar      | 2   | φ12                |

|                       |                         |                       |
|-----------------------|-------------------------|-----------------------|
| FIELD : አዲስ አበባ       | የግንባታ ስራ ሰነድ            |                       |
| DESIGNER : አዲስ አበባ    |                         |                       |
| DESIGN : አዲስ አበባ      | : አዲስ አበባ               |                       |
| CHECKED : አዲስ አበባ     | PROJECT TITLE : አዲስ አበባ | SHEET TITLE : አዲስ አበባ |
| APPROVED BY : አዲስ አበባ | SCALE 1:100             | DRAWN S-00            |